





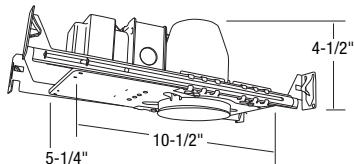
## L E D

---

Con-Tech Lighting offers recessed lighting with the advantages of LED technology, including long life, energy savings, and great color. Our 700 and 1000 Series integrated LED downlights offer superior performance, excellent cutoff, and energy savings. We have incorporated our 12W specification grade, Pure Light PAR38 LED lamp into our recessed fixtures to provide long life with a superior CRI of 92. Ideal for retail and commercial applications, these specification grade fixtures are available in new construction, StopAire®, and IC platforms.



NEW



Ceiling Opening:  
3-7/8"  
Ceiling Thickness:  
1/2" - 1"

**LVR3164L, LVR3164L 277V**

*New Construction*

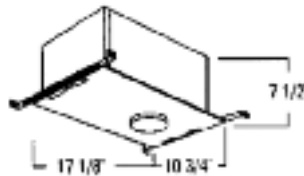
**Max. lamp:** 4W MR16 LED, 12V

- 120/12V or 277/12V models feature a thermally protected magnetic Class H transformer.
- Designed for solid or suspended ceilings.
- J-Box – (3) 1/2" knockouts and spring latch access plates.
- New construction models approved for through-circuit 90°C wiring. Maximum of 5 No. 12 AWG.
- The lamp housing is removable through ceiling aperture for access to junction box.
- Snap-off transformers.
- "Sure-Grip" springs permit the housing to be lowered and to adjust to ceiling thickness.
- cULus listed for damp locations.

Reversible dual extension hanger bars span from 15" to 25.25". Integral holding spikes for easy mounting to wood joists. Hanger bars may also be extended to rest on T-bar ceilings. Optional clip-on T-bar hangers also available.

May be used with RL-KIT optional mounting bracket.

NEW



Ceiling Opening:  
3-7/8"  
Ceiling Thickness:  
1/2" - 1"

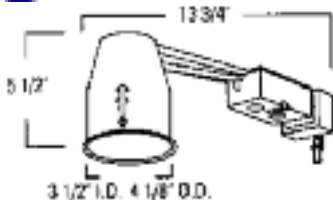
**LVR3161C4L**

*Insulated Ceiling / StopAire® Air-tight Applications*

**Max. lamp:** 4W MR16 LED, 12V

- 120/12V thermally protected magnetic Class H transformer.
- Designed for solid or suspended ceilings.
- J-Box – (4) 1/2" and (2) 3/4" knockouts with spring latch access plates.
- The J-Box cover is removable through ceiling aperture for access to junction box.
- Transformer removable through ceiling aperture.
- "Sure-Grip" spring permits the inner housing to be lowered for adjustment to ceiling thickness.
- cULus listed for damp locations.
- For insulated ceilings conforming to Washington State Energy Code (WSEC) for low air infiltration.

NEW



Ceiling Opening:  
3-7/8"  
Ceiling Thickness:  
1/2" - 1"

**LVR316R4L**

*New Construction*

**Max. lamp:** 4W MR16 LED, 12V

- 120/12V thermally protected magnetic Class H "in-line" transformer.
- Designed for solid or suspended ceilings.
- J-Box – (6) 1/2" knockouts and spring latch access plates.
- Lamp housing is removable through ceiling aperture for access to junction box.
- Replaceable transformer.
- Retractable mounting clips allow for easy installation into existing ceiling.
- cULus listed for damp locations.

*Housings this page feature:*

- High performance downlight with a replaceable MR16LED lamp.
- Replaceable LED lamp allows a simple and inexpensive way to change beam spreads and color temperature, without having to buy a new fixture. Replacement lamps available on page XX.
- Warm White (3000K) LEDs are available in 10° or 25° beam distributions.
- High visual comfort with 20° cut-off.
- Choice of five (5) trim options.
- 4 watt MR16 LED operating range -  
C: -25°C – 40°C  
F: -13°F – 104°F

**ORDER EXAMPLE:**

Example Housing Order Number

LVR316R4L

Trim

CTR307

Finish

+ -WHT =

Example Trim Order Number

CTR307-WHT



CTR301-WHT

**CTR301-B**  
*Adjustable Black Baffle, Black Trim*

**CTR301-P**  
*Adjustable Baffle (Black)*

**CTR301-WHT**  
*Adjustable Baffle (White)*

15° Vertical Swing Range

**Max. Lamp:** 4W MR16LED Module, 12V, GU5.3 Base

**OD:** 4-1/4", **ID:** 2-7/8"

**Lens Size:** 45mm

**Trim Finish:** Black, White

*See Note 1 Below*



CTR303-P

**CTR303-P**  
*Slotted Wall Wash*

Slotted adjustable wall wash trim provides broad illumination. The slot aperture permits maximum beam area adjustment for either wall wash or concealed accent lighting effects. Internal 50° swing adjustment and external 358° rotation. Black interior surface.

**Max. Lamp:** 4W MR16LED Module, 12V, GU5.3 Base

**OD:** 4-1/4"

**ID:** 1-3/8" x 2-1/2"

**Lens Size:** 45mm

**Trim Finish:** White

*See Note 1 Below*



CTR306-P

**CTR306-P**  
*Surface Adjustable (Black Baffle)*

Beauty and utility in a circular, die-cast, adjustable trim—40° maximum vertical swing, 359° rotational. The neat, regressed black baffle reduces surface brightness. Exclusive flat, stainless mounting springs. Holds trim firmly to ceiling.

**Max. Lamp:** 4W MR16LED Module, 12V, GU5.3 Base

**OD:** 4-1/4", **ID:** 2-7/8"

**Lens Size:** 50mm

**Trim Finish:** White

*See Note 1 Below*



CTR307-WHT

**CTR307-WHT**  
*Adjustable Pin Spot*

**CTR307-(B, NK, P)**  
*Adjustable Pin Spot (Black Baffle)*

Precise, adjustable beam aiming with this pin spot. Deep baffle for maximum lamp concealment. May be used as a pin spot style downlight or an adjustable accent light. With rotational capability and a broad, 35° vertical swing range. Choose black or white baffle.

**Max. Lamp:** 4W MR16LED Module, 12V, GU5.3 Base

**OD:** 4-1/4", **ID:** 2-7/8"

**Lens Size:** 45mm

**Trim Finish:** Black, Brushed Nickel, White

*See Note 1 Below*



CTR325-NK

**CTR325-(B, NK, P)**  
*Fully Adjustable*

Unsurpassed aiming flexibility: 359° rotational, 87° vertical. Variety of designer finishes available for any décor or environment. Use for downlighting or accent lighting applications. Easy relamping with twist-off front retaining ring. Exclusive stainless flat springs insure firm, close-to-ceiling mounting.

**Max. Lamp:** 4W MR16LED Module, 12V, GU5.3 Base

**OD:** 4-1/4"

**Lens Size:** 50mm

◀ Trims shown for use with housings on page 288

**Note:** On fixtures designed for use with standard MR16 lamps, Con-Tech provides a clear tempered safety lens. If use of MR16 LED lamps with optics is required, remove the factory provided clear tempered safety lens.

**Note 1:** For 2 light control elements, trim uses stepped lens holder. Insert 45mm lens on lower level of lamp seat. Insert 50mm lens/louver on higher portion.

..... FEATURING **CAST ALUMINUM TRIM CONSTRUCTION** .....

**Reflector Finish Codes**

BLK - Black

WHT - White

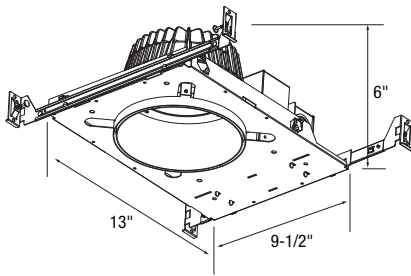
**Trim Finish Codes**

B - Black

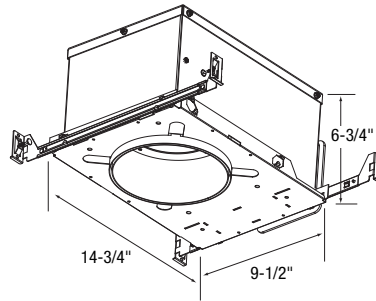
NK - Brushed Nickel

P - White

**NEW**



Aperture: 6-1/4"  
Ceiling Opening: 6-5/8"  
Pan Dimensions: 9-1/2"W x 13"L  
Ceiling Thickness: 1/2" - 2"



Aperture: 6-1/4"  
Ceiling Opening: 6-5/8"  
Pan Dimensions: 9-1/2"W x 14-3/4"L  
Ceiling Thickness: 1/2" - 2"



**RA6LNC**  
*New Construction*

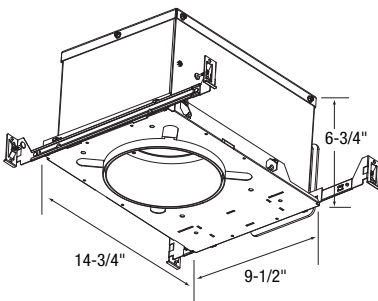
**Max. Lamp:** 17W, 700 Series LED Module, 120V

- Specification grade housing is constructed of 16 gauge galvanized steel.
- Adjustable nailer hanger bars included.

**RA6LSA**  
*StopAire®/Chicago Plenum*

**Max. Lamp:** 17W, 700 Series LED Module, 120V

- Meets the restricted airflow requirements per ASTM-283.
- Conforms to Washington State Energy Code for low air infiltration.
- Specification grade housing is constructed of 16 gauge galvanized steel.
- Adjustable nailer hanger bars included.



Aperture: 6-1/4"  
Ceiling Opening: 6-5/8"  
Pan Dimensions: 9-1/2"W x 14-3/4"L  
Ceiling Thickness: 1/2" - 2"



**RA6LIC**  
*Insulated Ceiling/IC*

**Max. Lamp:** 17W, 700 Series LED Module, 120V

- Thermally protected housing for use in applications with direct contact with insulation materials.
- Specification grade housing is constructed of 16 gauge galvanized steel.
- Adjustable nailer hanger bars included.

*Housings on this page feature:*

- All housings are available with standard Triac dimming and are compatible with most incandescent and ELV dimming controls.
- Dimming input wattage rating of 15W; non-dimming input wattage rating of 17W.
- Integrated Light Engine features a high output LED Array with 16 diodes arranged into a single LED package that enables precise optical control without lensing to diffuse and homogenize multiple LED sources.
- Consistent fixture to fixture color temperature.
- Die cast aluminum heat sink thermally engineered to maintain optimal LED junction temperature; 70% lumen maintenance at 50,000 hours.
- Quick-connect LED Light Engine for tool-less installation and removal.
- Drivers are fully accessible from below the ceiling and can be easily removed.
- Optimized downlight trim geometry and surface finishes reduce brightness with superior glare control.

*Ordering Information:*

<b>RA6LNC</b> – New Construction	<b>2</b> – 700 Series	<b>27K</b> – 2700K	<b>12</b> – 120V
<b>RA6LSA</b> – StopAire®/Chicago Plenum		<b>30K</b> – 3000K	<b>12D1</b> – 120V with Standard Triac Dimming
<b>RA6LIC</b> – Insulated Ceiling/IC		<b>35K</b> – 3500K	<b>27</b> – 277V

**ORDER EXAMPLE:**

Example Housing Order Number

**RA6LSA-235K27**

Trim

**CTR6327L**

Reflector Finish

**-CLR**

Cone/Baffle Finish

**-PL**

Example Trim Order Number

**CTR6327L-CLR-PL**



**CST6322L-(CLR, PL, WHT)**  
*Specification Grade  
Specular Reflector*

**OD:** 6-7/8"  
**ID:** 5-3/4"



CTR6321-CLR-PL

**CTR6321-(CLR, WHT)-(CLR, PL)**

- Clear or White Upper Reflector, Clear or Platinum Lower Cone
- Will accept (1) LF38 Glass Lens.

**OD:** 7-1/8"  
**ID:** 5-3/4"



CTR6321-CLR-B

**CTR6321-(CLR, WHT)-(B, P)**

- Clear or White Upper Reflector, Black or White Lower Baffle
- Will accept (1) LF38 Glass Lens.

**OD:** 7-1/8"  
**ID:** 5-3/4"



CTR6327L-CLR-PL

**CTR6327L-(CLR, WHT)-(CLR, PL)**

- Clear or White Upper Reflector, Clear or Platinum Lower Cone
- Regressed Prismatic Convex Lens
- Wet location listed

**OD:** 7-1/8"  
**ID:** 5-3/4"



CTR6327L-CLR-P

**CTR6327L-(CLR, WHT)-(B, P)**

- Clear or White Upper Reflector, Black or White Lower Baffle
- Regressed Prismatic Convex Lens
- Wet location listed

**OD:** 7-1/8"  
**ID:** 5-3/4"



CTR6325L-CLR-P

**CTR6325L-(CLR, WHT)-P**  
*Floating Glass Disc*

- Clear or White Reflector

**OD:** 8-3/4"  
**ID:** 5-3/4"  
**Drop from Ceiling:** 1-1/2"



CTR6326L-CLR-P

**CST6326L-(CLR, WHT)-P**  
*Floating Glass Ring*

- Clear or White Reflector

**OD:** 8-3/4"  
**ID:** 5-3/4"  
**Drop from Ceiling:** 1-1/2"



CTR6324L-W-P 1AR6B

**CTR6324L-(CLR, WHT)-P**  
**1AR6(B,F,G,R,Y)**  
*Single Floating Colored Acrylic Ring*

- Clear or White Reflector

**OD:** 8-3/4"  
**ID:** 5-3/4"  
**Drop from Ceiling:** 1-1/2"



CTR6324L-W-P 2AR6B

**CTR6324L-(CLR, WHT)-P**  
**2AR6(B,F,G,R,Y)**  
*Stacked Floating Colored Acrylic Rings*

- Clear or White Reflector

**OD:** 8-3/4"  
**ID:** 5-3/4"  
**Drop from Ceiling:** 2-3/4"

**Reflector Finish Codes**

CLR - Clear Specular Reflector      WHT - White Baffle  
PL - Platinum

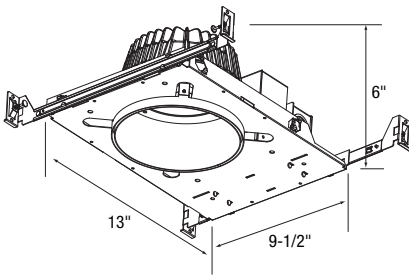
**Trim, Cone and Baffle Finish Codes**

B - Black      P - White  
CLR - Clear      PL - Platinum

**Acrylic Ring Finish Codes**

B - Blue      F - Frosted      G - Green      R - Red      Y - Yellow

NEW



Aperture: 6-1/4"  
 Ceiling Opening: 6-5/8"  
 Pan Dimensions: 9-1/2"W x 13"L  
 Ceiling Thickness: 1/2" - 2"



**CST6322L-(CLR, PL, WHT)**  
 Specification Grade  
 Specular Reflector

OD: 6-7/8"  
 ID: 5-3/4"

**RA6LNC**  
 New Construction

Max. Lamp: 23W, 1000 Series LED Module, 120V

- Rated at 23W; includes 0-10V dimming
- Integrated Light Engine features a high output LED Array: 25 diodes arranged into a single LED package that enables precise optical control without lensing to diffuse and homogenize multiple LED sources.
- Consistent fixture to fixture color temperature.
- Die cast aluminum heat sink thermally engineered to maintain optimal LED junction temperature; minimum 70% lumen maintenance at 50,000 hours.
- Specification grade New Construction housing is constructed of 16 gauge galvanized steel with adjustable nailer hanger bars.
- Quick-connect LED Light Engine for tool-less installation and removal.
- The driver is fully accessible from below the ceiling and can be easily removed.
- Optimized downlight trim geometry and surface finishes reduce brightness with superior glare control.



CTR6325L-CLR-P

**CTR6325L-(CLR, WHT)-P**  
 Floating Glass Disc

- Clear or White Reflector
- OD: 8-3/4"  
 ID: 5-3/4"  
 Drop from Ceiling: 1-1/2"



CST6326L-CLR-P

**CST6326L-(CLR, WHT)-P**  
 Floating Glass Ring

- Clear or White Reflector
- OD: 8-3/4"  
 ID: 5-3/4"  
 Drop from Ceiling: 1-1/2"



CTR6324L-W-P 1AR6B

**CTR6324L-(CLR, WHT)-P**  
**1AR6(B,F,G,R,Y)**  
 Single Floating Colored  
 Acrylic Ring

- Clear or White Reflector
- OD: 8-3/4"  
 ID: 5-3/4"  
 Drop from Ceiling: 1-1/2"



CTR6324L-W-P 2AR6B

**CTR6324L-(CLR, WHT)-P**  
**2AR6(B,F,G,R,Y)**  
 Stacked Floating Colored  
 Acrylic Rings

- Clear or White Reflector
- OD: 8-3/4"  
 ID: 5-3/4"  
 Drop from Ceiling: 2-3/4"

Ordering Information:

<b>RA6LNC</b> – New Construction	<b>3</b> – 1000 Series	<b>27K</b> – 2700K <b>30K</b> – 3000K <b>35K</b> – 3500K	<b>12D2</b> – 120V with 0-10V Dimming <b>27D2</b> – 277V with 0-10V Dimming
----------------------------------	------------------------	--	--

ORDER EXAMPLE:

Example Housing Order Number

**RA6LNC-327K12D2**

Trim

**CTR6325L**

Reflector Finish

**-CLR**

Trim Finish

**-P**

Example Trim Order Number

**CTR6325L-CLR-P**

Reflector Finish Codes

CLR - Clear Specular Reflector      WHT - White Baffle  
 PL - Platinum

Trim Finish Codes

P - White

Acrylic Ring Finish Codes

B - Blue      R - Red  
 F - Frosted      Y - Yellow  
 G - Green

6" LED Recessed Downlight 1000 Series: RA6LNC (0-10V DC Dimming) and 6" LED Recessed Downlight 700 Series, which includes the following products: RA6LNC, RA6LIC and RA6LSA (Standard Triac Dimming).

## Standard Dimming

### 120V AC Standard Dimming: Incandescent and Magnetic Low Voltage Dimmers

Standard 120V AC line voltage dimmers for incandescent and magnetic low voltage loads adjust the light with "forward phase control", where the dimmer "chops" the forward part of the AC wave to deliver less or more power to the light source. Standard dimming is two wire, in-line dimming, and is dimmable to 15%.

### 120V AC Standard Dimming: Electronic Low Voltage Dimmers

Standard 120V AC line voltage dimmers for electronic low voltage loads adjust the light with "reverse phase control", where the dimmer "chops" the back part of the AC wave to deliver less or more power to the light source. Standard dimming is two wire, in-line dimming, and is dimmable to 15%.

## Recommended Dimmers

### Standard Dimmers:

- Lutron Skylark Series (Part #s **S-600, S2-LH**)
- Lutron Maestro Series (Part # **MAW-600**)
- Cooper Aspire Series (Part # **9530XXX**)
- Leviton Illumitech Series (Part # **IPI06-XXX**)
- Leviton Trimatron Series (Part #s **6602-X, 6681-X, 6683-X, 6684-X, 700-X, and 705-X**)
- Leviton SureSlide Series (Part # **6631**)
- Leviton True Torch Series (Part # **6606-1LM**)

### Electronic Low Voltage Dimmers:

- Lutron Nova T Series (Part # **NTELV-600**)
- Lutron Faedra (Part # **FAELV-500-XX**)
- Leviton Acenti (Part # **ACE06-XXX**)

## 0-10V DC Dimming

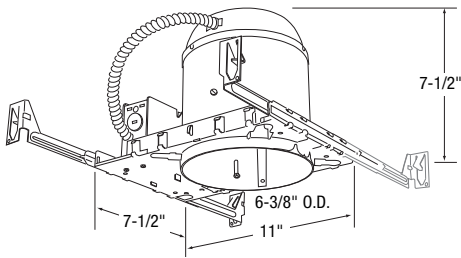
0-10V DC Dimming is a common type of dimming for many commercial applications. 0-10V DC Low voltage dimming operates using two low voltage dimming wires that are separate from the 120V or 277V AC power. The 0-10V dimmer switch sends a variable output voltage to the fixture based upon the dimming level. 10V corresponds to undimmed operation, 5V to 50% and so on. Switching on/off is controlled with the line voltage power (120V or 277V AC) input to the dimmer and then dimming operation is controlled with the 0-10V DC low voltage wiring connection between the dimmer and the LED driver. The control signal runs on two low voltage control wires (color coded violet and gray). These systems are dimmable to 25%.

## Recommended Dimmers

- Lutron DTV
- Leviton IP710

### Notes

- Consult factory for additional dimming information.
- Testing has been performed on the dimmers listed, but this does not imply any warranty of compatibility.
- Standard Dimming:
  - Dimmer maximum load rating with LED may differ from published traditional source dimmer ratings. Consult dimmer manufacturer for maximum dimmer information.
- 0-10C DC Dimming:
  - LED Dimming performance may vary from traditional source dimming. Performance results may vary based on dimmer model, manufacturer, circuit wiring and circuit loading.
  - Consult dimmer manufacturer for the latest dimmer information.



Aperture: 6-1/4"  
 Ceiling Opening: 6-1/2"  
 Pan Dimensions: 7-1/2"W x 11"L  
 Ceiling Thickness: 1/2" - 1-3/4"

**RL38LEM**  
*New Construction*

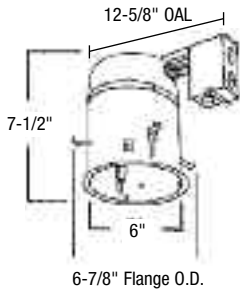
**Max. lamp:** 12W Pure Light E26 PAR38 LED, 120V

- White steel housing.
- Prewired junction box with convenient screwdriver pry-outs: (6) 1/2", (1) 1/2x3/4" concentric, and (4) Romex knockouts.
- Requires 3" minimum clearance in insulated ceilings.
- Spring-latch access plates.
- Adjustable socket mounting plate (Vertical position).
- Dual extension bars adjustable for 16" and 24" center joists. (14-1/4" > 24-1/2")
- Hanger bars may be extended to rest on T-bar ceilings. (Optional clip-on T-bar hangers also available.)
- Nail bar hangers, for easy installation.
- Quick connect, push-in wire connectors provided.
- Approved for through-branch (4 in/4 out) (8) #12 AWG wiring.
- cULus Listed for damp locations.

**RL38ICLEM**  
*Insulated Ceiling*

**Max. lamp:** 12W Pure Light E26 PAR38 LED, 120V

- Dual extension bars adjustable for 16" and 24" center joists (14-1/4" - 24-1/2").
- Nail bar hangers, for easy installation.
- Quick connect, push-in wire connectors provided.
- Hanger bars may be extended to rest on T-bar ceilings. (optional clip-on T-bar hangers also available.)
- Galvanized steel construction.
- Conforms to Washington State Energy code (WSEC) for low air infiltration. Tested in accordance with ASTM E283 (2.0 CRM or less).
- Locking screw for bar hangers.
- cULus Listed for damp locations.



Ceiling Opening:  
 6-3/8"  
 Ceiling Thickness:  
 1/2" - 1-1/2"

6-7/8" Flange O.D.

**RL38ICRLEM**  
*Insulated Ceiling Remodel*

**Max. lamp:** 12W Pure Light E26 PAR38 LED, 120V

- Prewired junction box with convenient screwdriver pry-outs: (7) 1/2", (4) Romex.
- Spring-latch access plates.
- Adjustable socket mounting plate. Vertical position.
- Approved for through-circuit wiring. Max: (8) #12 AWG (4 in, 4 out).
- cULus Listed for damp locations.
- Galvanized steel construction.



**-B**  
*Black Baffle Trim*

- Trims are held in place by three spring grip clips.

**Max Lamp:** 12W Pure Light PAR38 LED  
**OD:** 7-1/2" **ID:** 5-3/4"  
**Trim Finish:** Black



**-WHT**  
*White Baffle Trim*

- Trims are held in place by three spring grip clips.

**Max Lamp:** 12W Pure Light PAR38 LED  
**OD:** 7-1/2" **ID:** 5-3/4"  
**Trim Finish:** White

*Housings on pages 294-295 feature:*

- A better way to generate white light that uses a patented mixture of unsaturated yellow and saturated LEDs.
- Designed to last 35,000 hours.
- Color Rendering Index of 92; R9 Red Color Value of 72.
- Color management system maintains color consistency over time and temperature.
- High visual comfort with 20° cut-off.
- Self-flanged, air-tight, tapered baffle.
- Dimmable with specific dimmers. Consult factory.

**ORDER EXAMPLE:**

Example Housing Order Number

**RL38ICLEM**

**-B**

=

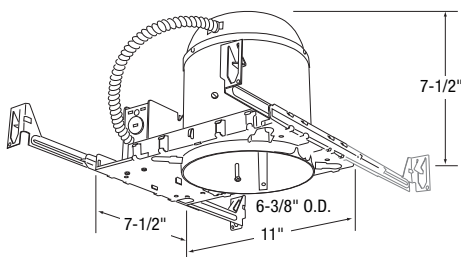
Example Trim Order Number

**RL38ICLEM-B**

**Reflector Finish Codes**

**B** - Black Baffle

**WHT** - White Baffle



Aperture: 6-1/4"  
 Ceiling Opening: 6-1/2"  
 Pan Dimensions: 7-1/2"W x 11"  
 Ceiling Thickness: 1/2" - 1-3/4"

**RL38LGM**  
*New Construction*

**Max. lamp:** 12W Pure Light GU24 PAR38 LED, 120V

- White steel housing.
- Prewired junction box with convenient screwdriver pry-outs: (6) 1/2", (1) 1/2x3/4" concentric, and (4) Romex knockouts.
- Requires 3" minimum clearance in insulated ceilings.
- Spring-latch access plates.
- Adjustable socket mounting plate (Vertical position).
- Dual extension bars adjustable for 16" and 24" center joists. (14-1/4" > 24-1/2")
- Hanger bars may be extended to rest on T-bar ceilings. (Optional clip-on T-bar hangers also available.)
- Nailer bar hangers, for easy installation.
- Quick connect, push-in wire connectors provided.
- Approved for through-branch (4 in/4 out) (8) #12 AWG wiring.
- cULus Listed for damp locations.

**RL38ICLGM**  
*Insulated Ceiling*

**Max. lamp:** 12W Pure Light GU24 PAR38 LED, 120V

- A better way to generate white light that uses a patented mixture of unsaturated yellow and saturated LEDs.
- Designed to last 35,000 hours.
- Color Rendering Index of 92; R9 Red Color Value of 72.
- Color management system maintains color consistency over time and temperature.
- High visual comfort with 20° cut-off.
- Self-flanged, air-tight, tapered baffle.



**-B**  
*Black Baffle Trim*

- Trims are held in place by three spring grip clips.

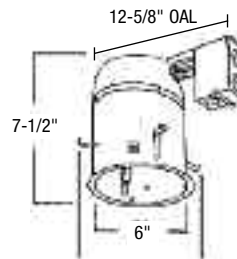
**Max Lamp:** 12W Pure Light PAR38 LED, GU24 Base  
**OD:** 6-7/8" **ID:** 5-3/4"  
**Trim Finish:** Black



**-WHT**  
*White Baffle Trim*

- Trims are held in place by three spring grip clips.

**Max Lamp:** 12W Pure Light PAR38 LED, GU24 Base  
**OD:** 6-7/8" **ID:** 5-3/4"  
**Trim Finish:** White



Ceiling Opening: 6-3/8"  
 Ceiling Thickness: 1/2" - 1-1/2"

**RL38ICRLGM**  
*Insulated Ceiling Remodel*

**Max. lamp:** 12W Pure Light GU24 PAR38 LED, 120V

- Prewired junction box with convenient screwdriver pry-outs: (7) 1/2", (4) Romex.
- Spring-latch access plates.
- Adjustable socket mounting plate. Vertical position.
- Approved for through-circuit wiring. Max: (8) #12 AWG (4 in, 4 out).
- cULus Listed for damp locations.
- Galvanized steel construction.



**-CLR**  
*Clear Specular Reflector*

- Trims are held in place by three spring grip clips.

**Max Lamp:** 12W Pure Light PAR38 LED, GU24 Base  
**OD:** 6-7/8" **ID:** 5-3/4"  
**Trim Finish:** Clear



**-PL**  
*Matte Platinum Reflector*

- Trims are held in place by three spring grip clips.

**Max Lamp:** 12W Pure Light PAR38 LED, GU24 Base  
**OD:** 6-7/8" **ID:** 5-3/4"  
**Trim Finish:** Matte Platinum

**ORDER EXAMPLE:**

Example Housing Order Number

**RL38ICLGM**

**-CLR**

=

Example Trim Order Number

**RL38ICLGM-CLR**

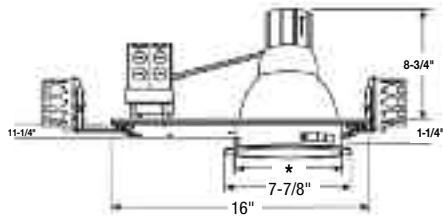
**Reflector Finish Codes**

**B** - Black Baffle

**CLR** - Clear Specular Reflector

**PL** - Matte Platinum

**WHT** - White Baffle



\* 6" (Multiplier)  
5-1/2 (Baffle)  
11-1/4"W x 16"L

**RA638VLEM**  
*New Construction*

**Max. lamp:** 12W Pure Light E26 PAR38 LED, 120V

- 6" aperture.
- Vertical lamp position.
- Flat plaster frame design.
- Non-IC, thermally protected frame-in kit for vertical incandescent lamps.
- Large Junction box: listed through branch circuit wiring 4 in/4 out (8) 1/2" knockouts, (2) concentric 1/2" and 3/4" knockouts and (8) knockouts with Romex cable clamp. Dual junction boxes for incandescent lamp fixtures.

**RL-KIT:** (provided) Commercial mounting kit provided up to 5" vertical adjustment accommodate 1/2 EMT conduit, optional HB-24 or HBC-24 bar hangers or lathing channels for T-bar grid or concealed spline ceiling.



**-CLR**  
*Clear Reflector*

- Trims are held in place by three spring grip clips.

**Max Lamp:** 12W Pure Light PAR38 LED  
**OD:** 7-1/4" **ID:** 6-1/8"



**-PL**  
*Matte Platinum Reflector*

- Trims are held in place by three spring grip clips.

**Max Lamp:** 12W Pure Light PAR38 LED  
**OD:** 7-1/4" **ID:** 6-1/8"

**Housing features:**

- A better way to generate white light that uses a patented mixture of unsaturated yellow and saturated LEDs.
- Designed to last 35,000 hours.
- Color Rendering Index of 92; R9 Red Color Value of 72.
- Color management system maintains color consistency over time and temperature.
- High visual comfort with 20° cut-off.
- Non-IC housing
- Self-flanged, low-iridescence Alzak™ trim designed for maximum light output.

**ORDER EXAMPLE:**

Example Housing Order Number

RA638VLEM

-PL

=

Example Trim Order Number

RA638VLEM-PL

**Reflector Finish Codes**

CLR - Clear Specular Reflector

PL - Matte Platinum

