

## CHARACTERISTICS OF WICLER

### DISPLAY

1.5 inch retro-illuminated monochrome graphic screen  
80 x 120 pixel resolution

### SOUND

20 Hz to 20 KHz frequency response

Compatible audio formats: MP3 (up to 384 Kb/s)

4W nominal power and 4 ohm impedance hi-fi speaker

RDS FM radio with automatic radio station presetting system (15 settings)

Hands-free for mobile telephone with Bluetooth® technology and CVC® (Clear Voice Capture) quality

### SUPPLY AND BATTERY

1100mAh Li-ion rechargeable battery, 3.7v with safety circuit

Recharging with USB 2.0 at 450mA/hour connecting the device to a computer with a USB 2.0 port or connecting to a 220V power socket using the USB adapter included

USB 100-240V power adapter

Approximate battery autonomy: more than 5 hours for audio in a loudspeaker with medium volume, 15 hours for audio in headphones and 10 hours for the front light

### CONNECTORS

Headphone jack: 3.5 mm stereo mini-connector and 5 ~ 7 mW per channel

USB 2.0 port: standard mini USB-B receptacle, support for firmware: USB updatable

### SPECIFICATIONS

Audio: MP3

Radio-frequency: Bluetooth® and CVC® (Clear Voice Capture) quality  
Mini USB port

Safety: SWS, Safety Wicler System, "device fixed to the bicycle" detection system

### LANGUAGES

Wicler navigation menu: German, Spanish, English, Italian and Dutch

Box and instruction manual: Spanish and English

### ADDITIONAL INFORMATION

Includes fixing for bicycle

1 GB bicycle memory which enables the storage of over 300 songs (18 hours of music)

Lighting model comprising 3 powerful LED with continuous/flashing light

Electronic bell with two sounds, ring-ring/parp-parp

Short-cut buttons for bell and light, configurable on the right or left for right-handed and left-handed people

Simple and intuitive navigation especially designed for quick access when riding a bike

SWS, Safety Wicler System: Wicler includes a "device fixed to the bicycle" detection system which automatically switches audio and voice reproduction on the headphones to the speakers when Wicler is fixed to its attachment.

### COMMERCIAL GUARRANTY

Wicler is guaranteed against possible material and labour defects for a two-year period from the original purchase date.

## COMMERCIAL INFORMATION

### WICLER INCLUDES

Wicler device, fixing for handlebars of standard bicycle (Ø 18-28 mm), USB mini cable-100cm USB, USB 100-240V power adapter and instructions.

### PRODUCT PART NUMBERS

WICLER



8 437009 415108

Ref. 10PRD0102.1

Wicler.1, graphite-green, fixing for bicycle, power adapter, power adapter, box and instructions Spanish-English

### WICLER ACCESORIES

FIXING FOR BICYCLE



8 437009 415504

Ref. 10ACC0102.1

Fixing for handlebars of standard bicycle (Ø 18-28 mm), graphite-black, box Spanish-English

### SALES CONTACT

Sales Department

T. +34 914 171 156

sales@wicler.com

Good for you, good for the planet, S.L.

Capitán Haya 1, 28020 Madrid-Spain

www.wicler.com, Zona distribuidores

\* With the speaker switched on, medium volume.

® Wicler is a registered trademark belonging to Good for you, good for the planet, S.L. The Wicler device and SWS safety system are patented (patent pending).

The Bluetooth® word mark and logos are registered trademarks owned by Bluetooth® SIG, Inc. and any use of such marks by Good for you, good for the planet, S.L. is under license. Other trademarks and trade names are those of their respective owners. Good for you, good for the planet, S.L. is a member of Bluetooth® SIG.

© 2008. Good for you, good for the planet, S.L. Capitán Haya 1, 28020 Madrid-Spain.  
www.wicler.com

Ref.100FCH0200.GV

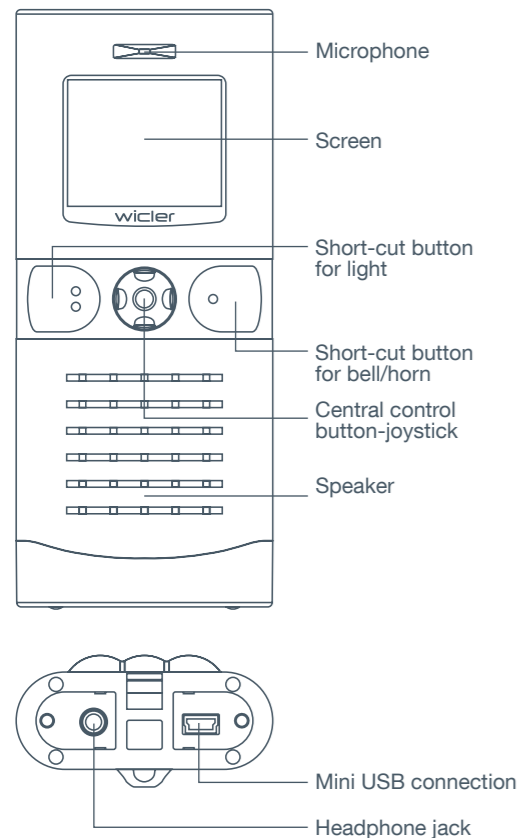
wicler  
the sound of biking



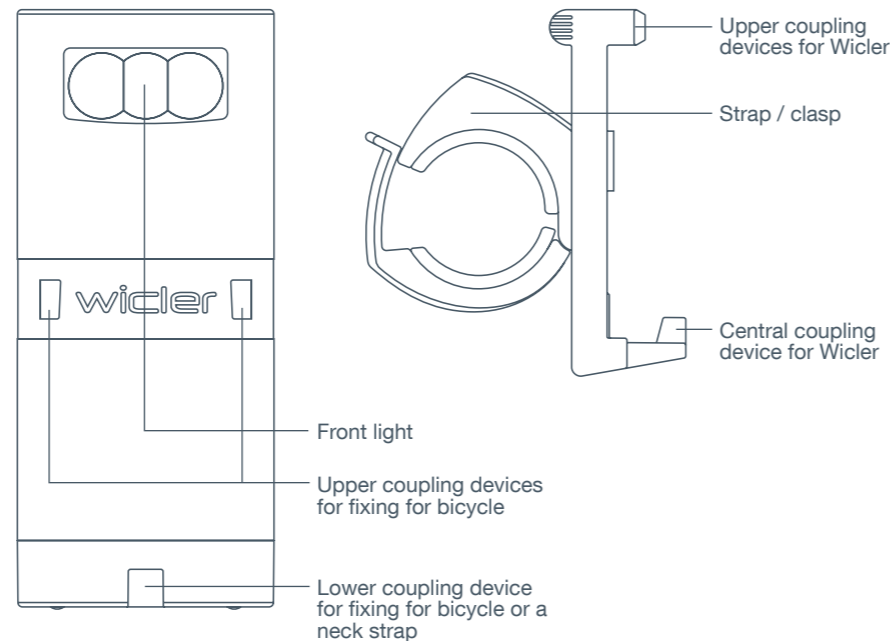
wicler®  
the sound of biking

www.wicler.com

## WICLER



## FIXING FOR BICYCLE



## WICLER

135 mm high x 57 mm wide x 22 mm deep, 160 gr



## FIXING FOR BICYCLE

82 mm high x 51 mm wide x 70 mm deep, 40 gr  
Fixing for handlebars of standard bicycle (Ø 18-28 mm)



### RIDING A BICYCLE WILL NO LONGER BE THE SAME BECAUSE WICLER GIVES YOUR BIKE SOUND

#### WHAT IS WICLER

##### WICLER IS SPECIFICALLY DESIGNED FOR THE BICYCLE

Wicler is a new electronic device with a powerful speaker especially designed so that you can listen to music, the radio or talk on your mobile when you ride your bike. It is an MP3 player, FM radio and Bluetooth® hands-free which is fixed to the bicycle handlebars and is easy to use. Wicler also includes a front light and bell so you do not have to have anything else on the handlebars.

#### WHY WICLER

##### TO ENJOY YOUR BICYCLE MORE WITH SAFETY

Until now you have had to choose between quality or safety when it comes to enjoying music, the radio or talking on the phone while you ride your bike. With Wicler you no longer have to choose because with its powerful speaker the sound surrounds you without having to use headphones, a dangerous practice which traffic authorities in most countries advise against.

#### WICLER TARGET CUSTOMERS

##### FOR ALL BIKE RIDERS FROM 12 TO 100 YEARS OLD

Wicler is an ideal option for all types of people riding any type of bicycle in any condition. Wicler allows you to enjoy the bicycle more when it is used as a means of transport on bicycle touring routes, for doing physical exercise or as a simple individual or group open-air leisure activity.

#### HOW WICLER WORKS

##### AS SIMPLE AS A CLICK OF THE FINGER

Using Wicler is simple and easy. With a click of the finger you choose the function you want at any time without stopping peddling: playing music, connecting to the radio, answering calls, switching on the light or ringing the bell.

MP3 Player: to load your music in Wicler you do not need additional software, you just have to connect it to the computer and drag your songs to Wicler.

FM Radio: Wicler allows you to store 15 radio stations in the memory and has immediate automatic presetting. So if you lose a radio station while you are riding your bike you can find another one rapidly with just one touch.

Hands-free: If you are listening to music or the radio and someone calls you on your mobile, the music will stop playing so that you can answer the call or reject it if you do not want to answer it at that time. You can also raise or lower the volume while you talk.

Light: with a touch of the finger you can choose whether you want the continuous or flashing light.

Bell/Horn: with the two traditional sounds, ring-ring and parp-parp.

#### OTHER WICLER USES

##### TAKE WICLER WITH YOU WHEREVER YOU GO

Wicler is also a powerful mini sound system for outdoors or a comfortable hands-free device for the car. You can take it with you to the swimming pool, park, countryside... Wicler can be used outdoors.

	Electronic device designed for bicycle		MP3 PLAYER
	Powerful speaker, do not use headphones when you ride a bike		FM RADIO
<b>1GB</b>	1 GB memory for storing more than 300 songs in MP3 format		BLUETOOTH® HANDSFREE
	Bluetooth® 2.0 technology for the hands-free function		BELL/HORN FOR BIKE
	USB 2.0 for charging battery and transferring music		FRONT LIGHT FOR BIKE
	3.5 mm headphone jack stereo		
	Rechargeable battery for more than 5 hours use*		
	Monochrome display for maximum visibility outdoors		
<b>12-100</b>	Recommended for bicycle riders between 12 and 100 years old		